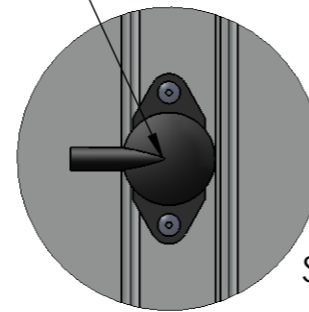
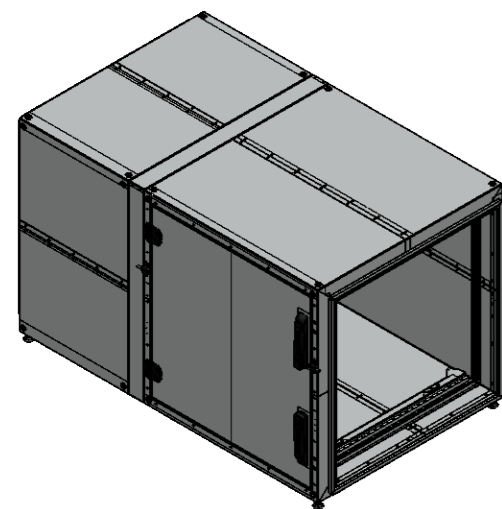


TYPE:	EXTERNAL		CONNECTION	
	B	H	B1	H1
0505	392	392	300	300
0510	392	692	300	600
1005	692	392	600	300
1010	692	692	600	600
1015	692	992	600	900
1020	692	1292	600	1200
1025	692	1592	600	1500
1030	692	1892	600	1800
1510	992	692	900	600
1515	992	992	900	900
1520	992	1292	900	1200
1525	992	1592	900	1500
1530	992	1892	900	1800
2010	1292	692	1200	600
2015	1292	992	1200	900
2020	1292	1292	1200	1200
2025	1292	1592	1200	1500
2030	1292	1892	1200	1800
2510	1592	692	1500	600
2515	1592	992	1500	900
2520	1592	1292	1500	1200
2525	1592	1592	1500	1500
2530	1592	1892	1500	1800
3010	1892	692	1800	600
3015	1892	992	1800	900
3020	1892	1292	1800	1200
3025	1892	1592	1800	1500
3030	1892	1892	1800	1800

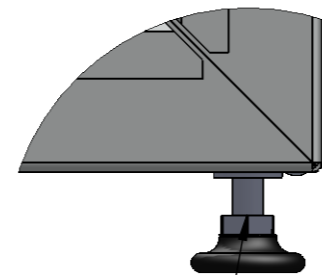
2x pressure ports



DETAIL A
SCALE 1 : 2



4x adjustable feet
(adjustable 40-50mm)
Not mounted at delivery!



DETAIL B
SCALE 1 : 2

G:\RITARKIV\NYTT SKÅP\Kundritningar\

UNLESS OTHERWISE SPECIFIED:		DEBUR AND BREAK SHARP EDGES		DO NOT SCALE DRAWING	REVISION	-01
ACC. TO 3D CAD DIMENSIONS ARE IN MILLIMETERS						
	NAME	SIGNATURE	DATE	TITLE:		
DRAWN	isacsha		2018-03-05			
CHK'D						
APPV'D						
MFG						
Q.A				MATERIAL:	DWG NO.	A3
					Camcube HF-CC	
				WEIGHT:	SCALE:1:10	SHEET 1 OF 1